



PACTIV

Foodservice / Food Packaging



ClearView™ Hinged Lid Containers

best

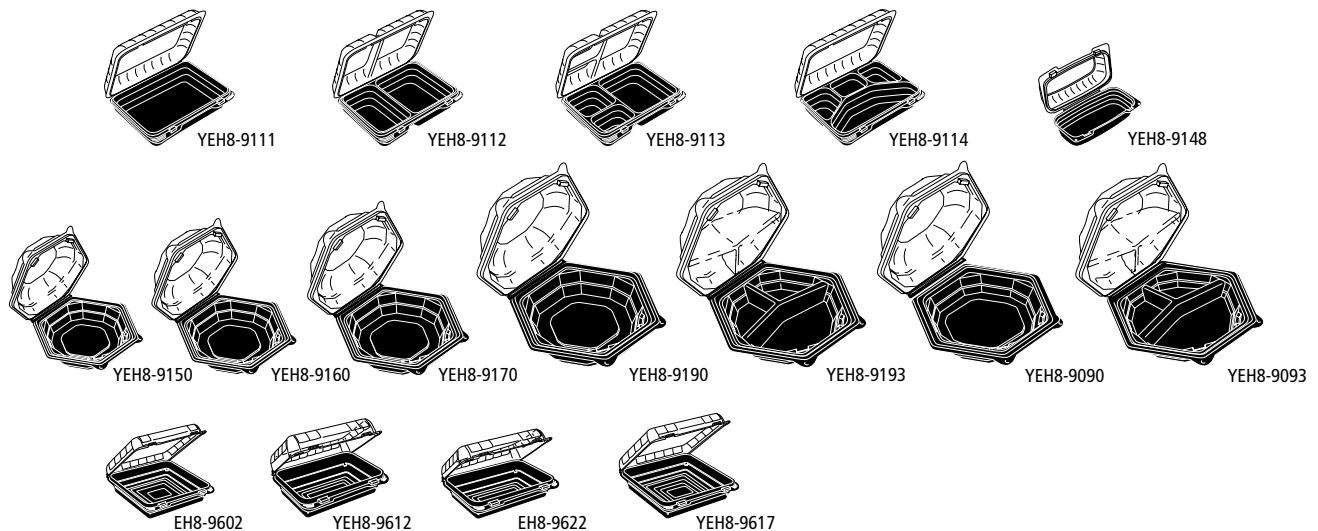
ClearView™ SmartLock® Dual Color Hinged Lid Containers



Features Benefits

SmartLock Closure System	Easy to understand. Aids in employee efficiency
Audible Click Closure	Indicates a secure lock which helps maintain freshness
Durable Hinge	Flexible enough for easy closure and resists breaking
Stack Stabilizers	Add strength for more secure stacking, enhancing merchandising

Product Specifications



ClearView™ SmartLock® Dual Color Containers

Product Number	Description	Capacity (ff. oz.)	Dimensions (in inches)	Cube	Case Wt.	Sleeve	Case Pack	Cases/ Unit Load
YEH8-9111	1-Compartment Dual Color Container	45	10 3/4 x 8 x 3 1/4	2.40	22.00	1/125	125	24
YEH8-9112	2-Compartment Dual Color Container	36/24	10 3/4 x 8 x 3 1/4	2.40	22.00	1/125	125	24
YEH8-9113	3-Compartment Dual Color Container	36/12/8	10 3/4 x 8 x 3 1/4	2.40	22.00	1/125	125	24
YEH8-9114	4-Compartment Dual Color Container	24/7/7/3	10 3/4 x 8 x 3 1/4	2.40	22.00	1/125	125	24
YEH8-9148	Small Dual Color Hoagie Container	--	8 1/2 x 4 1/2 x 3 1/4	2.65	17.04	2/120	240	20
YEH8-9090*	9" DC Hexware™ Hinged Lid Cont. (Shallow)	38	9 x 3	3.33	14.10	1/110	110	16
YEH8-9093*	9" DC Hexware 3-Cmpt. Hinged Lid Cont. (Shallow)	22/6/6	9 x 3	3.33	14.10	1/110	110	16
YEH8-9150	5" DC Hexware Hinged Lid Container	9	5 x 3	3.36	11.25	4/75	300	16
YEH8-9160	6" DC Hexware Hinged Lid Container	15	6 x 3	1.86	5.35	2/60	120	27
YEH8-9170	7" DC Hexware Hinged Lid Container	22.5	7 1/2 x 3	2.32	9.00	3/40	120	24
YEH8-9190	9" DC Hexware Hinged Lid Container	38	9 x 3	3.33	14.10	1/110	110	16
YEH8-9193	9" DC Hexware 3-Cmpt. Hinged Lid Container	22/6/6	9 x 3	3.33	14.10	1/110	110	16
EH8-9602	Small Snack Box	18	5 7/8 x 6 1/3 x 2 1/4	1.70	15.00		200	
YEH8-9612	Medium Snack Box (Shallow)	--	5 3/4 x 7 7/8 x 2 1/4	2.35	16.00	4/50	200	24
EH8-9622	Medium Snack Box (Deep)	--	5 3/4 x 7 7/8 x 3	2.02	15.00		200	
YEH8-9617	Large Snack Box	--	7 13/16 x 8 x 2 1/4	2.02	12.10	1/135	135	30

ClearView™ SmartLock®

better

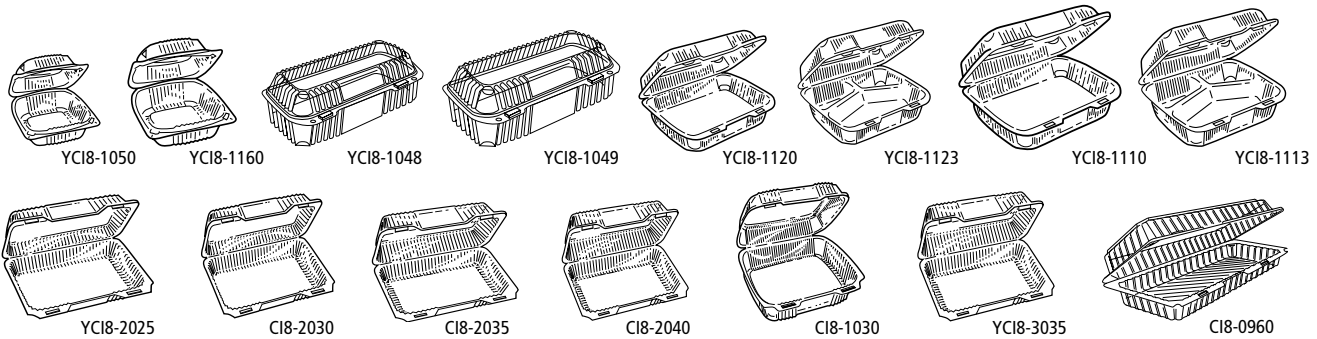
Hinged Lid Containers

Features Benefits

SmartLock Closure System	Aids in employee efficiency and is easy to understand
Audible Click Closure	Indicates a secure lock which helps to maintain freshness
Smooth Front Panel	Provides ideal placement of labeling
Wide Variety of Sizes	Useful for a broad range of applications



Product Specifications



ClearView™ SmartLock® Hinged Containers

Product Number	Description	Capacity (fl. oz.)	Dimension (in inches)	Case		Packing		Cases/ Unit Load
				Cube	Approx. Wt.	Sleeve	Case	
YC18-1160	Clear 6" Hinged Lid w/1-Cmpt. Tray	20 oz.	5 ³ / ₄ x 6 x 3	2.92	20.02	4/125	500	18
YC18-1050	Clear 5" Hinged Lid w/1-Cmpt. Tray	11 oz.	5 ¹ / ₄ x 5 ¹ / ₄ x 2 ¹ / ₂	1.75	11.24	3/125	375	36
YC18-1048	Clear 7 ¹ / ₂ " Hoagie Package	23 oz.	8 ¹ / ₂ x 4 x 2 ¹ / ₂	1.70	11.06	2/125	250	30
YC18-1049	Clear 9" Hoagie Package	27 oz.	9 ¹ / ₄ x 4 ¹ / ₂ x 3	1.98	12.76	2/125	250	30
YC18-1120	Clear Medium Hinged Lid w/1-Cmpt. Tray	49 oz.	8 ¹³ / ₆₄ x 8 ¹¹ / ₃₂ x 2 ²⁹ / ₃₂	2.74	20.28	1/200	200	24
YC18-1123	Clear Medium Hinged Lid w/3-Cmpt. Tray	5 oz.(S) - 14 oz. (L)	8 ¹³ / ₆₄ x 8 ¹¹ / ₃₂ x 2 ²⁹ / ₃₂	2.74	20.28	1/200	200	24
YC18-1110	Clear Large Hinged Lid w/1-Cmpt. Tray	62 oz.	9 ⁷ / ₃₂ x 8 ⁷ / ₈ x 2 ²⁹ / ₃₂	2.61	18.05	2/100	200	20
YC18-1113	Clear Large Hinged Lid w/3-Cmpt. Tray	6.7 oz.(S) - 24 oz.(L)	9 ⁷ / ₃₂ x 8 ⁷ / ₈ x 2 ²⁹ / ₃₂	2.61	18.05	2/100	200	20
YC18-2025	Clear Small Hinged Lid	33 oz.	6 ²³ / ₃₂ x 8 ³⁵ / ₆₄ x 2 ²¹ / ₃₂	2.23	15.88	2/140	280	27
C18-2030	Clear Hinged Lid w/1-Cmpt. Tray (SS)	22 oz.	9 ¹ / ₄ x 6 ¹ / ₄ x 2	2.61	18.10	2/125	250	
C18-2035	Clear Hinged Lid w/1-Cmpt. Tray (DS)	36oz.	9 ¹ / ₄ x 6 ¹ / ₄ x 2 ⁵ / ₈	2.61	18.10	2/125	250	
C18-2040	Clear Hinged Lid w/1-Cmpt. Tray (DD)	36 oz.	9 ¹ / ₄ x 6 ¹ / ₄ x 3 ¹ / ₄	2.75	18.10	2/125	250	
C18-1030	Clear Medium Hinged Lid Container - Deep	39.6 oz.	8 ⁵ / ₈ x 7 ¹ / ₈ x 3	2.70	18.67	2/125	250	
YC18-3035	Clear Utility (DS)	82 oz.	10 ³ / ₄ x 9 ¹ / ₄ x 3 ¹ / ₂	2.38	18.40	2/75	150	24
C18-0960	Foot-Long Hingeware	53.7 oz.	14 ⁵ / ₈ x 5 ⁵ / ₈ x 3 ¹ / ₄	4.73	25.66	2/125	250	

Conventional

Hinged Lid Containers

good



Features Benefits

Outstanding Clarity	Improves merchandising and impulse sales
Durable Heavyweight OPS Material	Excellent cutting/eating surface
Stackable	Stable stacking during transport or while on display
Variety of Sizes	Useful for a broad range of applications

Product Specifications



Y94121



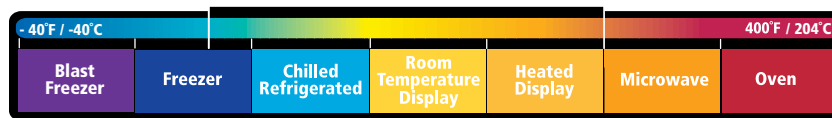
Y94111



Y94119

The Sell Out® Hinged Containers

Product Number	Description	Capacity (fl. oz.)	Dimensions (in inches)			Vert. Depth	Case		Case		Cases/ Unit Load
			Top Out	Top In	Bottom		Cube	Weight	Sleeve Pack		
Y94121	Medium Deep Clear Hingeware	--	9 x 8	7 3/4 x 6 3/4	6 7/16 x 5 7/16	3 3/8	2.07	16.56	2/90	180	24
Y94130	Medium Low Profile Clear Hingeware	--	9 x 8	7 3/4 x 6 3/4	7 1/4 x 6 1/4	1 13/16	2.07	16.56	2/90	180	24
Y94111	Large Deep Clear Hingeware	51B + 50 1/2L	9 1/2 x 9 1/2	8 3/16 x 8 1/4	6 7/8 x 6 7/8	3 3/8	2.57	15.34	2/80	160	20
Y94119	Large Super Deep Clear Hingeware	63B/52L	9 1/2 x 9 1/2	8 3/16 x 8 1/4	6 7/8 x 6 7/8	3 7/8	2.81	18.29	2/85	170	20



20°F / -7°C Temperature Range For These Products > 180°F / 82°C

OPS (20°F/-7°C - 180°F/82°C)

These guidelines are supplied to assist you in determining the proper use of Pactiv products. They are based upon testing and published guidelines and are reliable in most applications. However, because every food supplier's recipes, ingredients, processes and supply chain is unique, these guidelines are not a substitute for product testing. Confirmation of product acceptability under your specific conditions of use must be done by you.

ClearView™ Hinged Lid Containers

www.pactiv.com
800.476.4300



PACTIV
Foodservice / Food Packaging

12/09 Lit# 12-351MG
© PACTIV LLC 2012

1900 West Field Court / Lake Forest, IL 60045 / 800.476.4300
2010 Ellesmere Road, Units 6-9 / Scarborough, Ontario M1H 3B1 / Canada / 800.387.3282